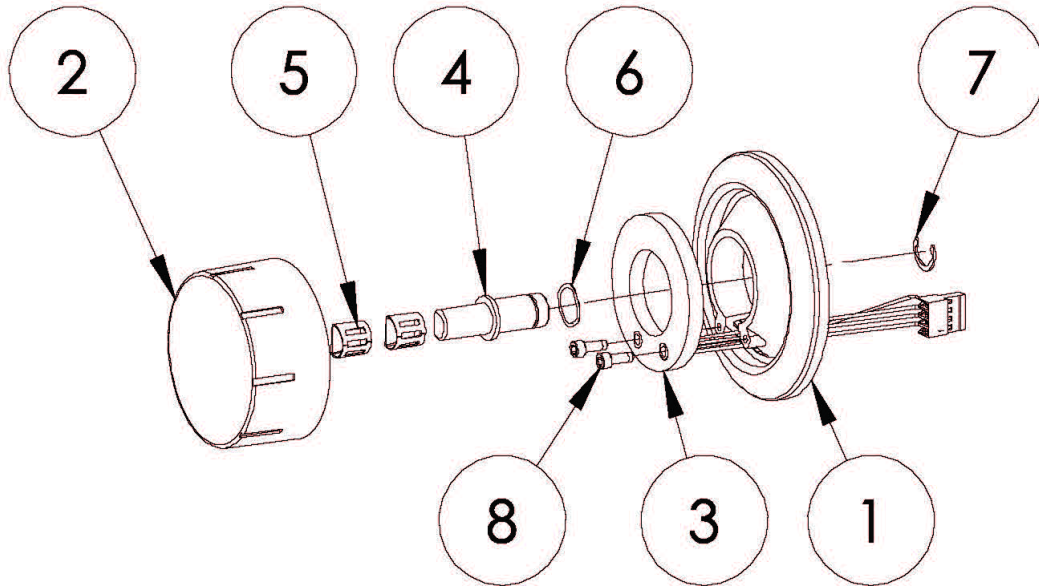


SMART42F Knob Assembly

Click on any circled item, then add the part to your cart. If it won't click, the part is not available. If the part is not available, please call us at: 888.988.4546



Item	Part No.	Name	Qty	Uom	NOTES
1	35034	BEZEL, KNOB, ILLUMINATED	1	EA	
2	80964	KNOB, BONDED, ASSY	1	EA	
3	35060	PCB, KNOB	1	EA	
4	35037	KNOB, SHAFT	1	EA	
5	33018	CLIP, KNOB	2	EA	
6	35067	SPRING, WAVE, DISC	1	EA	
7	35068	C-CLIP, RETAINER	1	EA	
8	35389	SCREW, #4-40 X 5/16, SHC, SS	2	EA	